
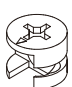

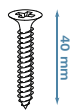


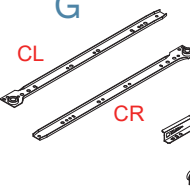
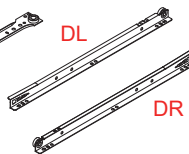
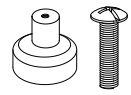

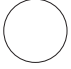


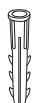



Genevieve Bedside Table

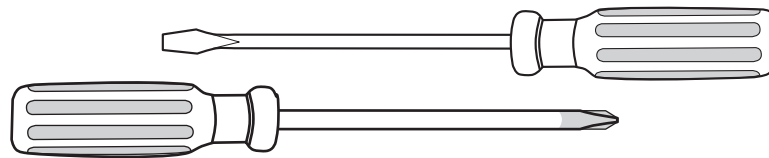
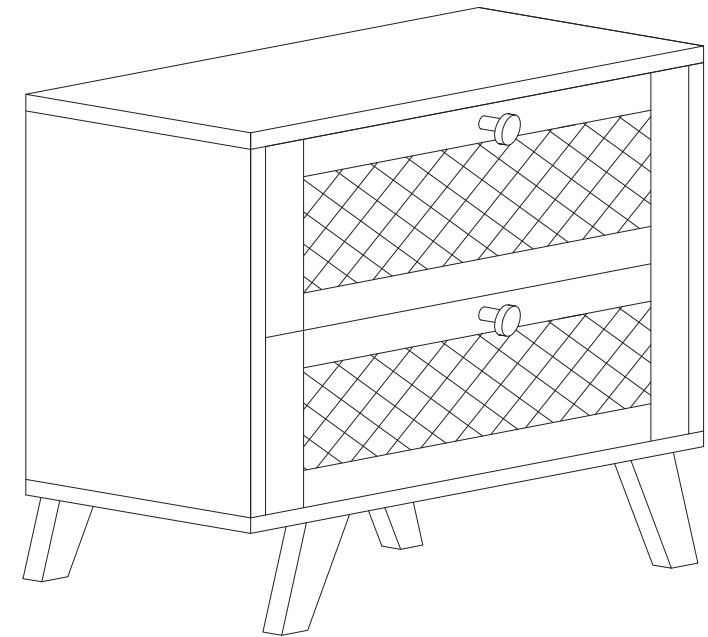
Thank you for your purchase.
Please follow the instructions below for correct assembly.

A  12 x bolt	B  12 x locking nut	C  8 x dowel	D  12 x long screw 40 mm	E  16 x small screw 12 mm	F  8 x medium screw 30 mm
G  4 x L+R slide rail	H  4 x L+R slide rail	I  2 x handle	J  4 x wedge	K  8 x cover	

HARDWARE SUPPLIED

W  1 x safety strap	Y  1 x long screw
X  1 x wall anchor	Z  1 x washer

WARNING: Any furniture that is not anchored to a wall has the potential to tip over in certain circumstances, i.e. if a child attempts to climb up on the furniture or in the event of an earthquake. Accordingly, we recommend that all furniture is anchored to a wall. We supply a free safety wall anchor with all furniture sold and we recommend these are used to prevent your product tipping. The fixing device provided should fit most wall types, but please note that different wall materials may require different fixing devices from those supplied.

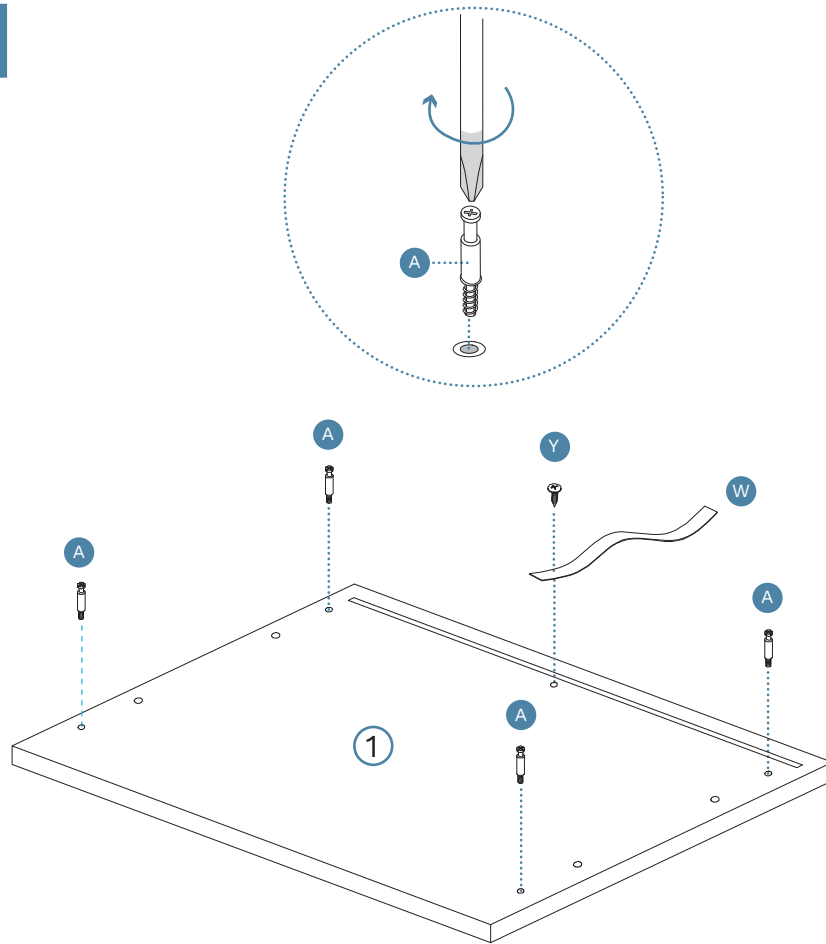


Phillips & Flathead screwdrivers and hammer required

*We recommend using a Flathead screwdriver to tighten all locking nuts 100% before first use.

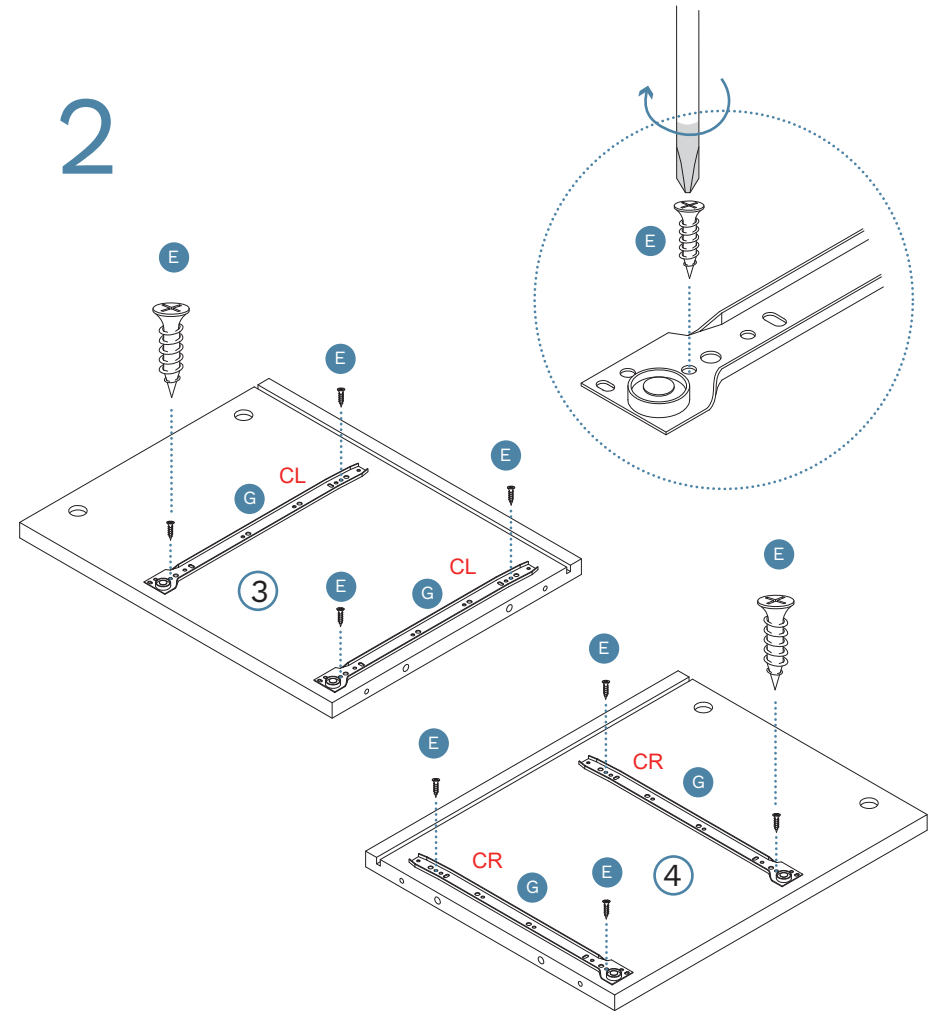
Genevieve Bedside Table

1



Attach 1 x wall strap (W) to panel [1] using 1 x screw (Y). Insert 4 x bolts (A) into panel [1]. Tighten with a screwdriver.

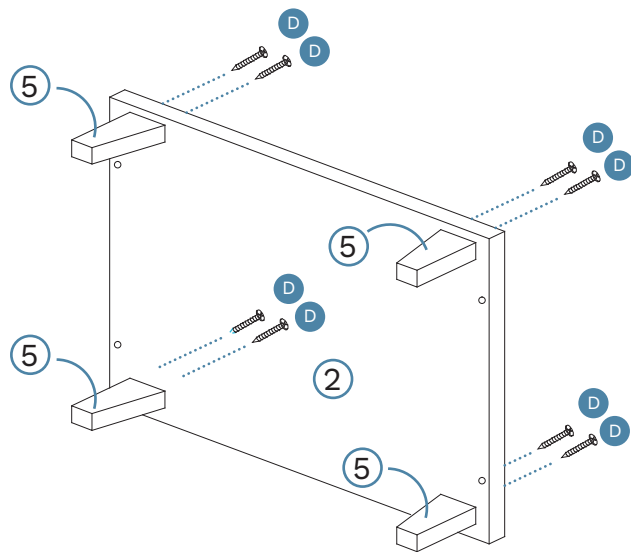
2



Attach 2 x left slide rails (G) to panel [3] and secure with 4 x small screws (E). Attach 2 x right slide rails (G) to panel [4] and secure with 4 x small screws (E). Tighten with a screwdriver.

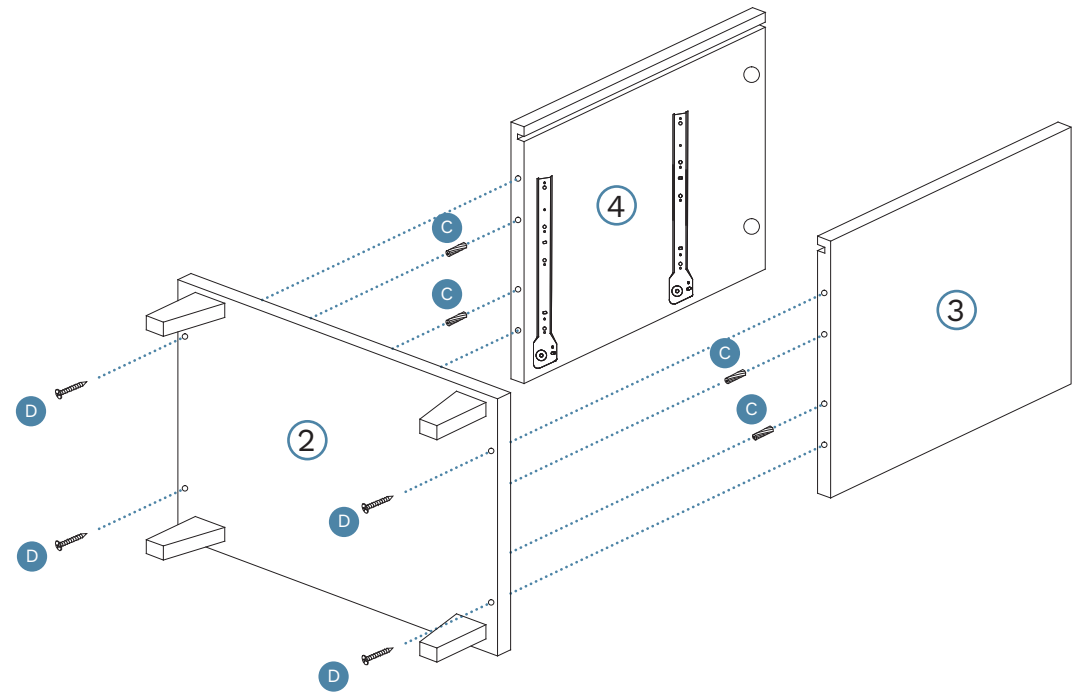
Genevieve Bedside Table

3



Attach panels [5] to panel [2] and secure with 8 x long screws (D). Tighten with a screwdriver.

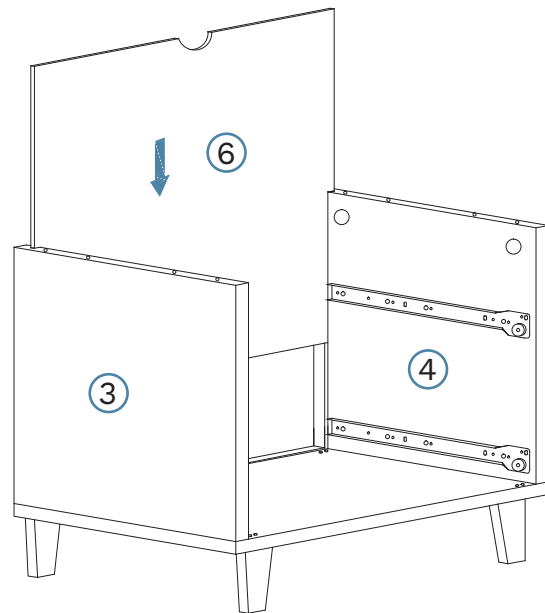
4



Insert 4 x dowels (C) into panels [3] and [4]. Attach panels [3] and [4] to panel [2] and secure with 4 x long screws (D). Tighten with a screwdriver.

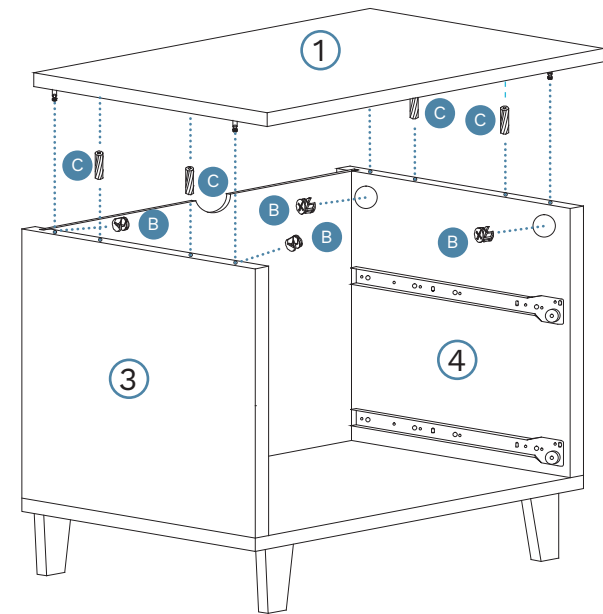
Genevieve Bedside Table

5



Slide panel [6] between the grooves on panels [3] and [4] to form the back of the unit as shown. Tighten with a screwdriver.

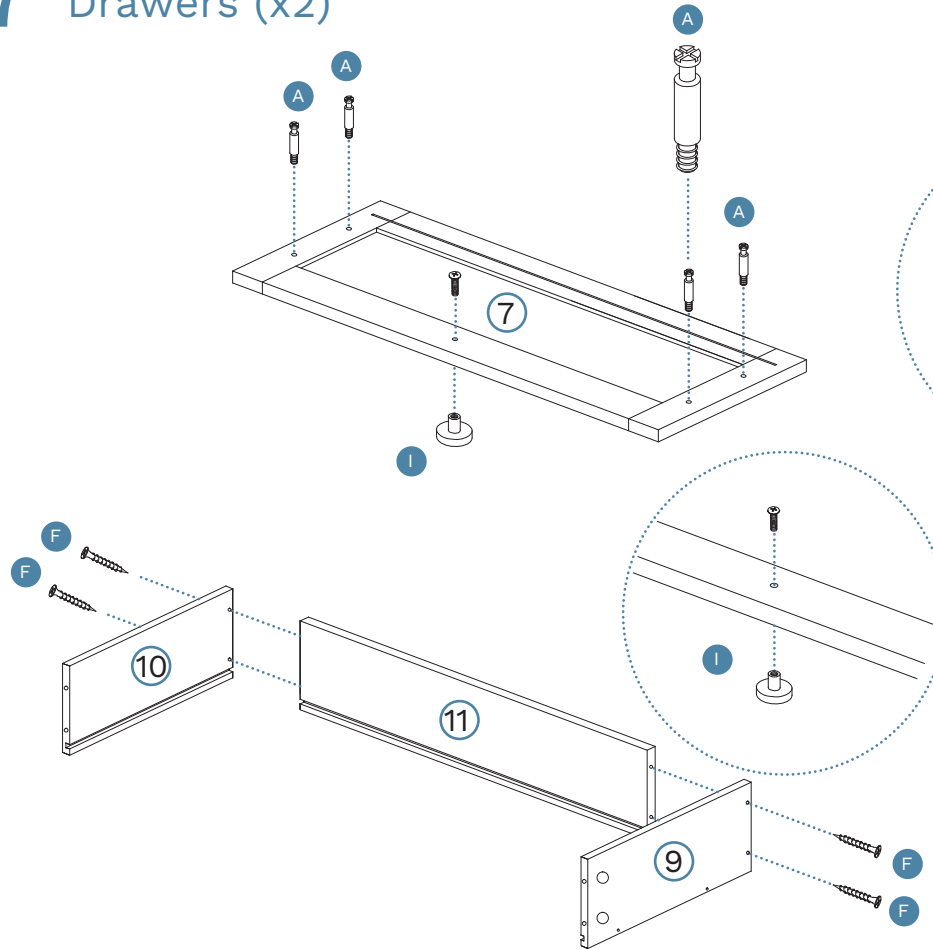
6



Insert 4 x dowels (C) into panels [3] and [4]. Attach panel [1] to panels [3] and [4] and secure with 4 x locking nuts (B). Tighten with a screwdriver.

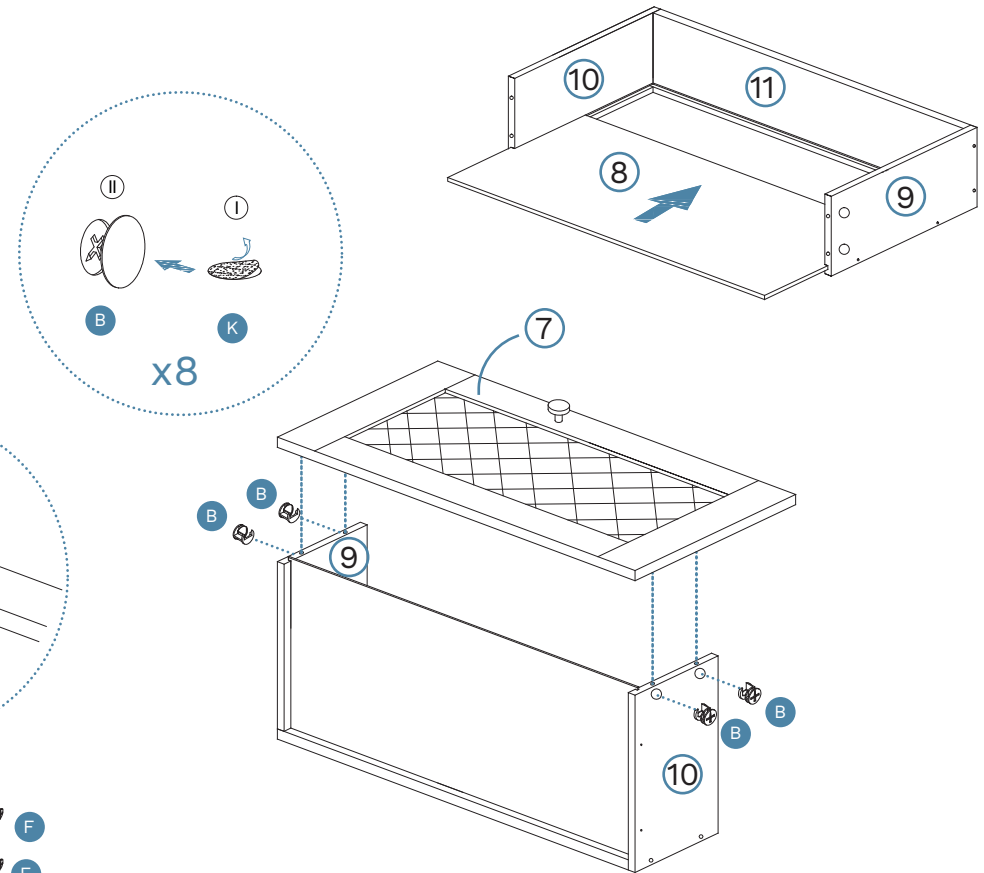
Genevieve Bedside Table

7 Drawers (x2)



Insert 8 x bolts (A) into panels [7]. Attach panels [9] and [10] to panels [11]. Secure with 8 x medium screws (F). Insert 2 x handles (I) into panels [7]. Tighten with a screwdriver.

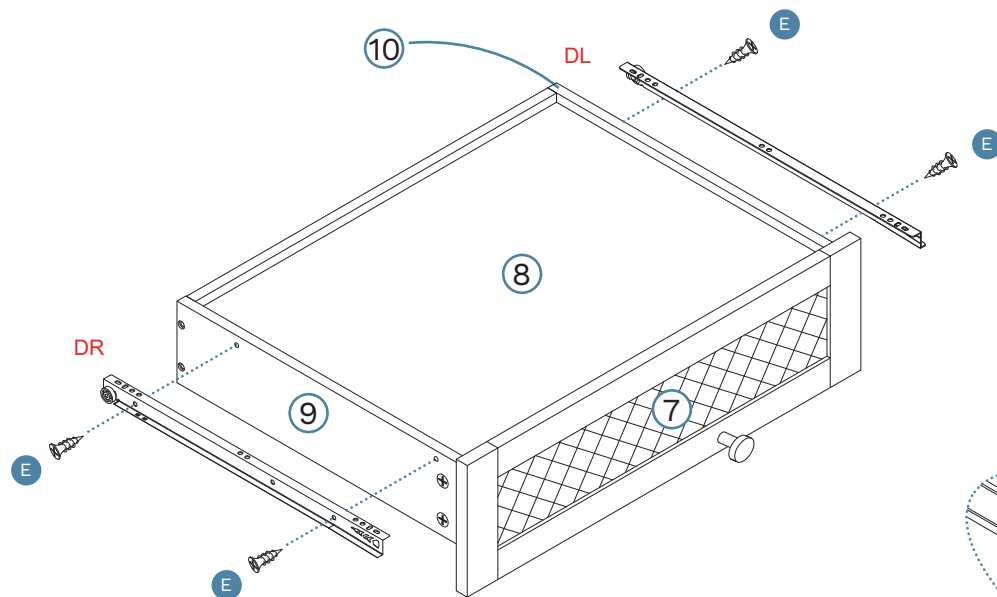
8 Drawers (x2)



Slide panels [8] between the grooves on panels [9], [10] and [11] to form the base of the drawer as shown. Attach panel [7] to panels [8], [9] and [10], secure with 8 x locking nuts (B). Cover locking nuts (B) with 8 x covers (K). Tighten with a screwdriver.

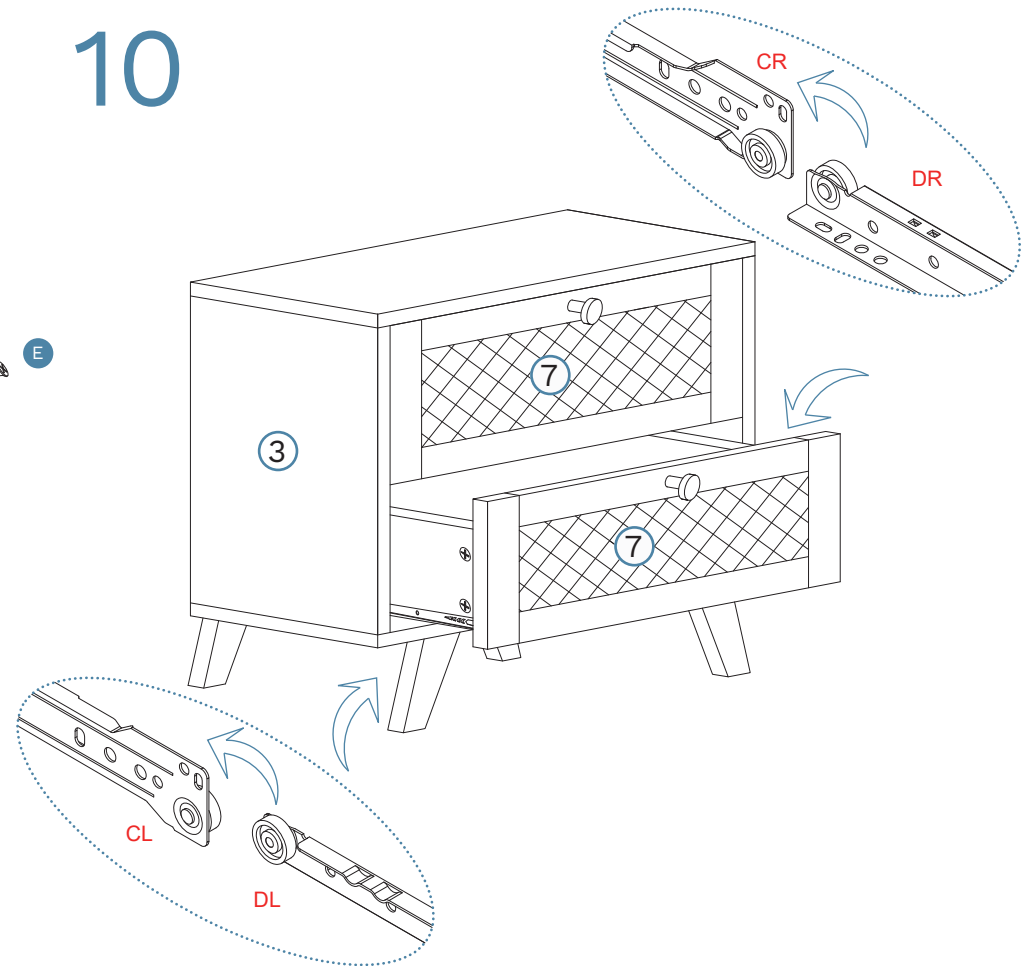
Genevieve Bedside Table

9 Drawers (x2)



Attach 4 x slide rails (H) to panels [9] and [10], secure with 8 x small screws (E). Tighten with a screwdriver.

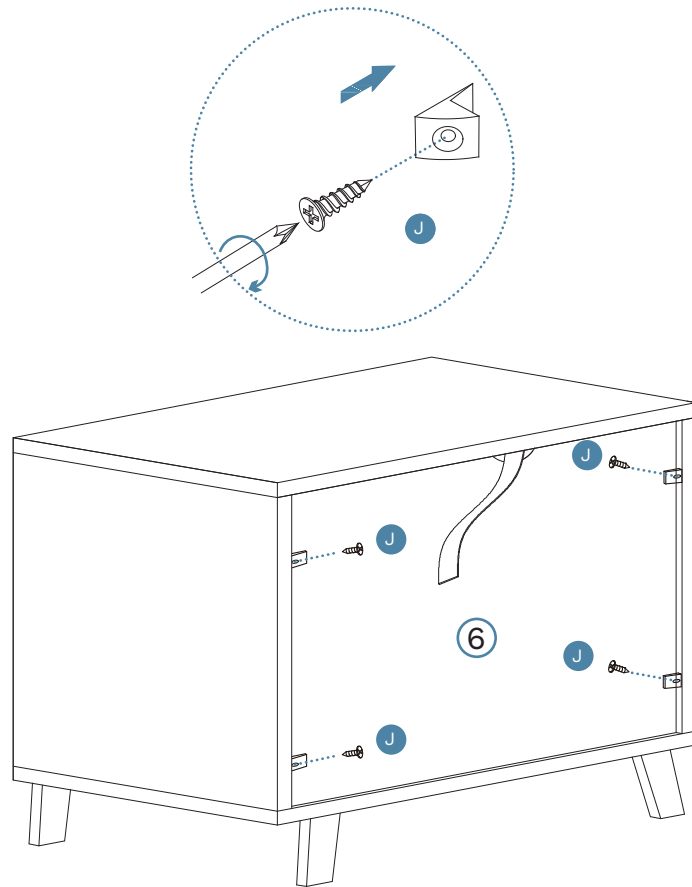
10



Slide drawers x 2 between the grooves on panels [3] and [4] to form the back of the unit as shown.

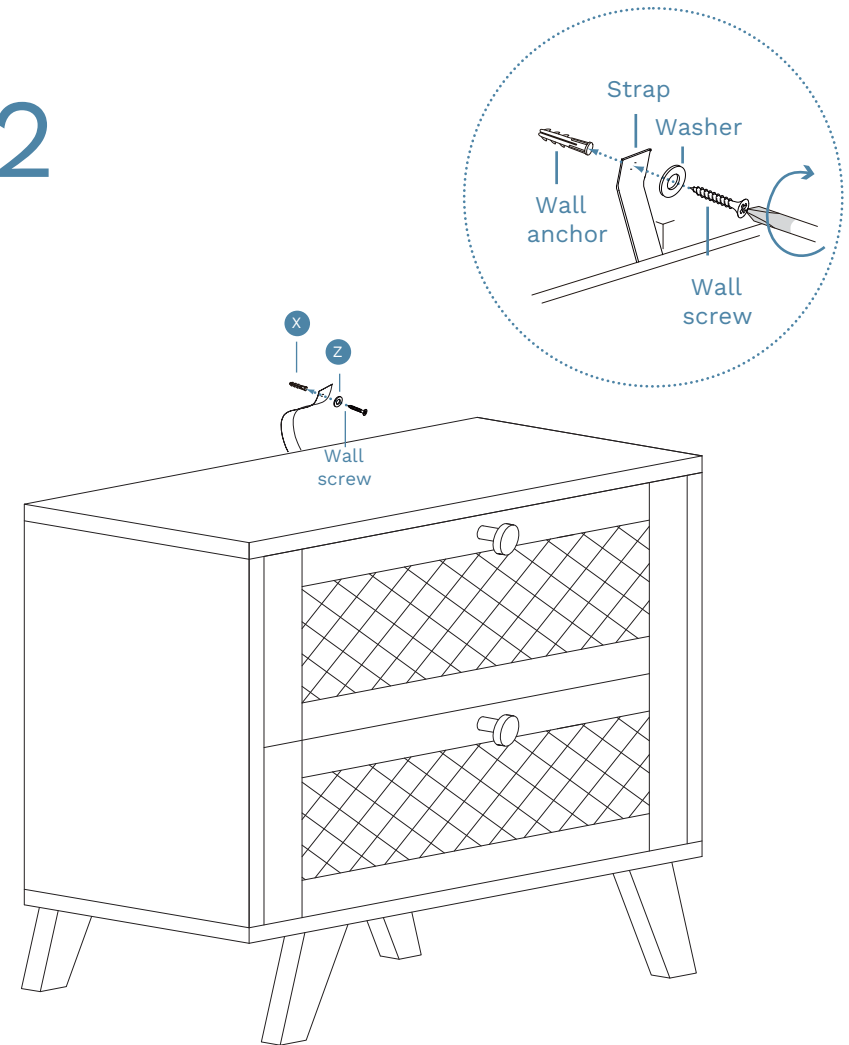
Genevieve Bedside Table

11



Attach 4 x wedges (J) to panel [6]. Tighten with a screwdriver.

12



Once assembled lift furniture into place, do not drag. Use a drill to create a small hole lining up with the top of the safety strap (W). Fasten to wall using 1 x wall plug (X), 1 x washer (Z) and 1 x wall screw (not supplied).